

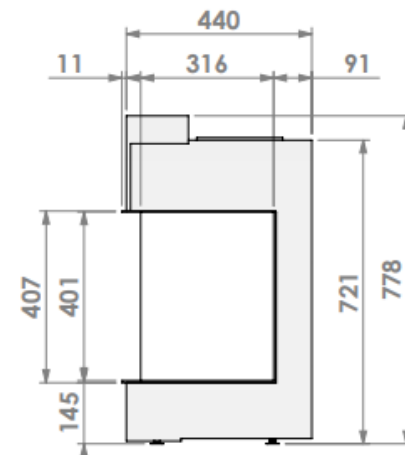
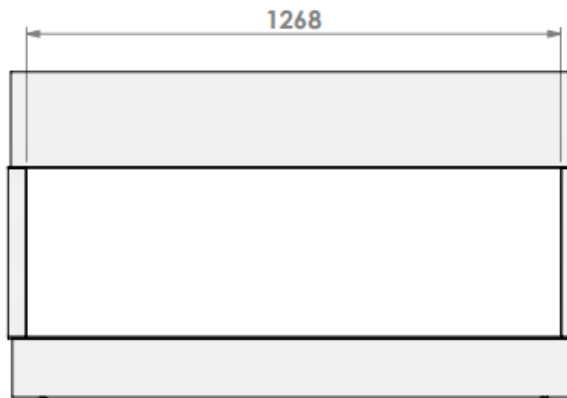
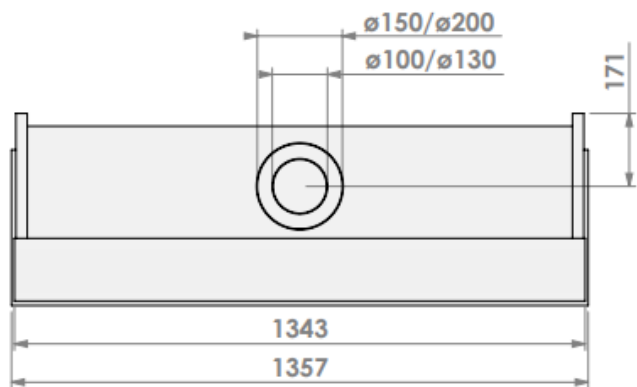
# View Bell Large 3



Effekt (Min-maks).....1,9 -7,1 KW  
 Std. brenner .....Centre Fire  
 Vekt .....126 kg  
 Energimerking .....**B**  
 Avgass størrelse ..... $\phi 150/100 - \phi 200/130$  mm  
 Modell .....View Bell Large 3



**Standard ramme (Hidden door)**



**Bred ramme (Hidden door+ 10cm)**

