

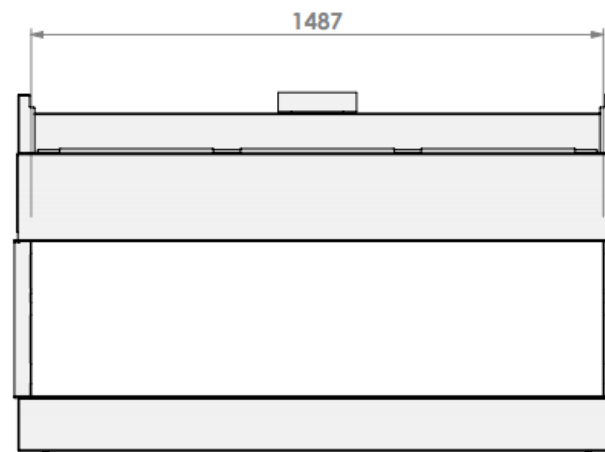
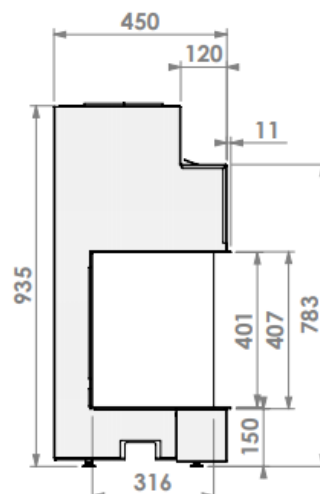
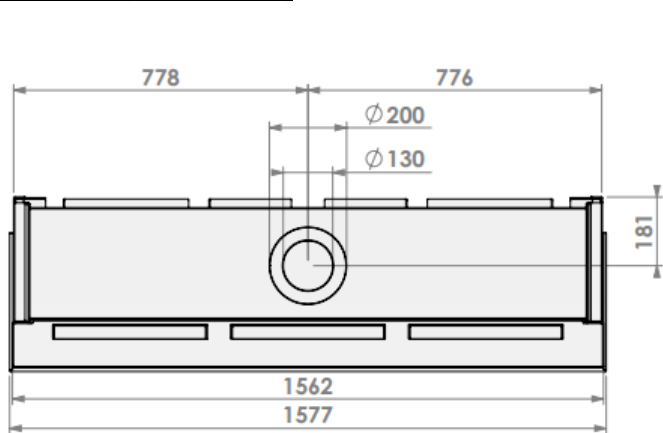
# View Bell XL 3





Effekt (Min-maks).....	1,9- 8,5 KW
Std. brenner .....	Centre Fire
Vekt .....	166 kg
Energimerking .....	A
Avgass størrelse .....	ø150/100 - ø 200/130 mm
Modell .....	View Bell XL 3

**Standard ramme (Hidden door)**



**Bred ramme (Hidden door + 10 cm)**

