

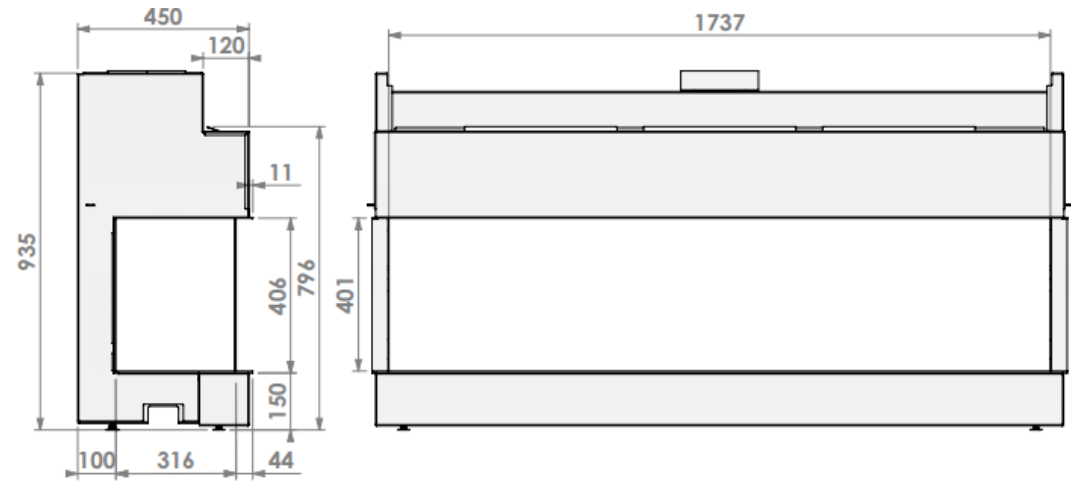
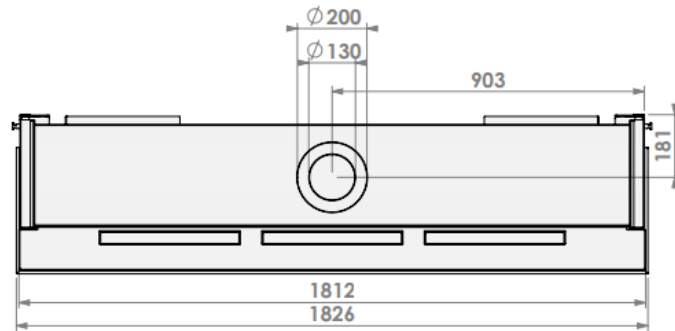
View Bell XXL 3





Effekt (Min-maks).....1,5- 6,5 KW
 Std. brennerCentre Fire
 Vekt185 kg
 Energimerking**A**
 Avgass størrelse $\varnothing 150/100 - \varnothing 200/130$ mm
 ModellView Bell XXL 3

Standard ramme (Hidden door)



Bred ramme (Hidden door + 10 cm)

