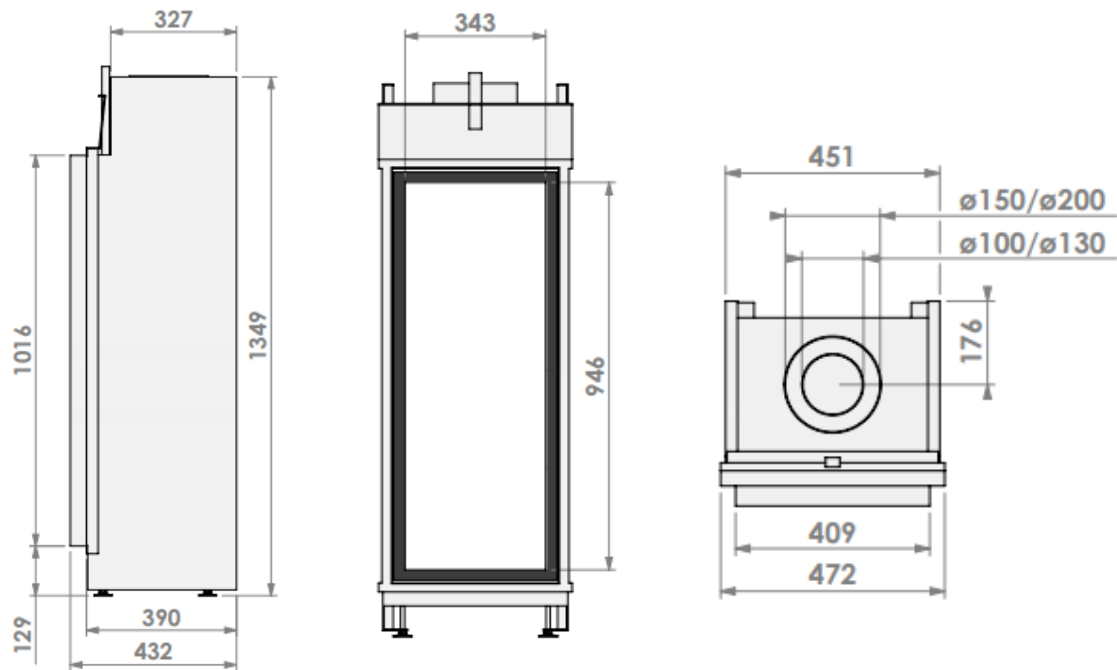


# Vertical Bell Medium 3

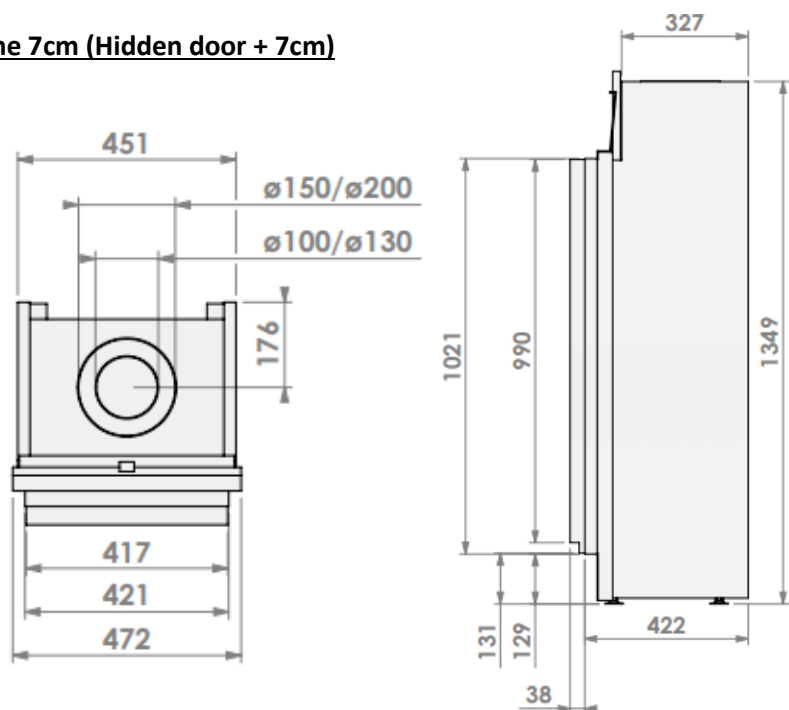


**Standard ramme (Hidden door)**



Effekt (Min-maks).....0,9- 4,9 KW  
 Std. brenner .....Centre Fire  
 Vekt .....96 kg  
 Energimerking .....**A**  
 Avgass størrelse ..... $\varnothing 150/100 - \varnothing 200/130$  mm  
 Modell .....Vertical Bell Medium 3

**Ramme 7cm (Hidden door + 7cm)**



**Bred ramme (Hidden door + 10cm)**

