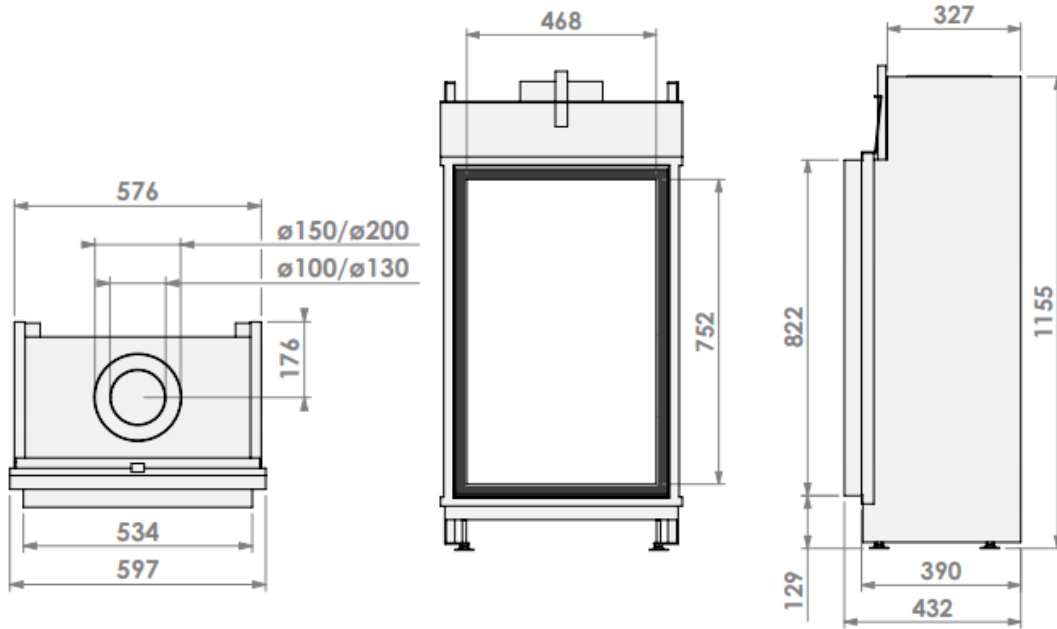


Vertical Bell Small 3

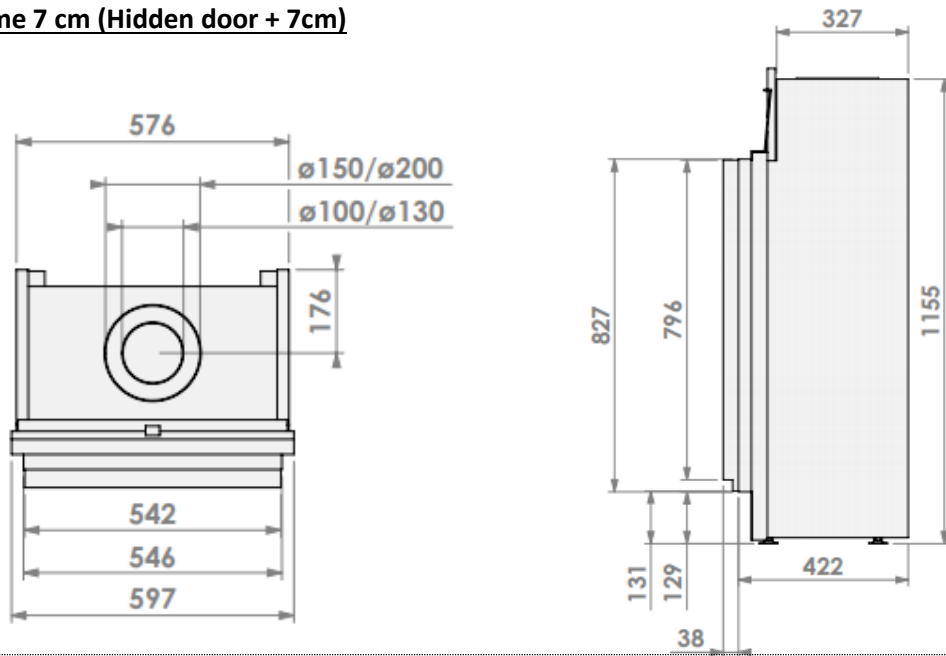


Standard ramme (Hidden door)



Effekt (Min-maks).....1,8-6,8 KW
 Std. brennerCentre Fire
 Vekt95 kg
 Energimerking**B**
 Avgass størrelse $\varnothing 150/100 - \varnothing 200/130$ mm
 ModellVertical Bell Small 3

Ramme 7 cm (Hidden door + 7 cm)



Bred ramme (Hidden door + 10 cm)

